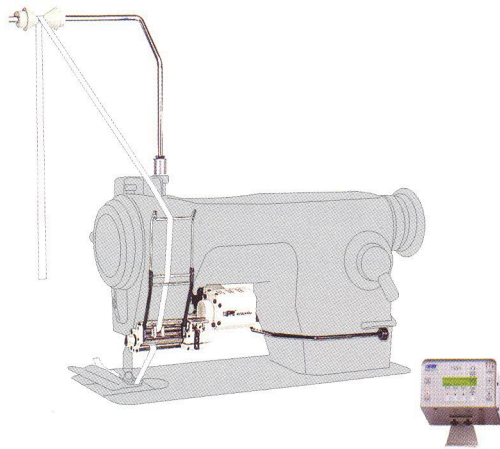


MC S6 SERIES

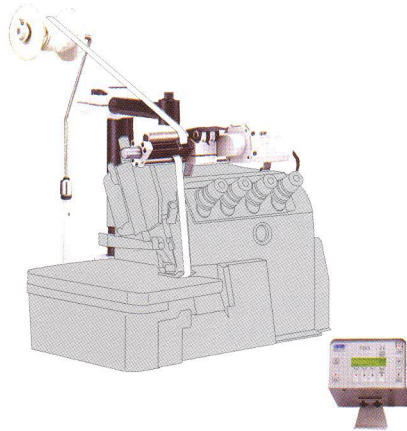
COMPACT SIZE. UP TO 6 SEPARATE SECTIONS ARE AVAILABLE WITH PRECISE TENSION CONTROL.

NO MATTER THE MOTOR IS CLUTCH OR POSITION.

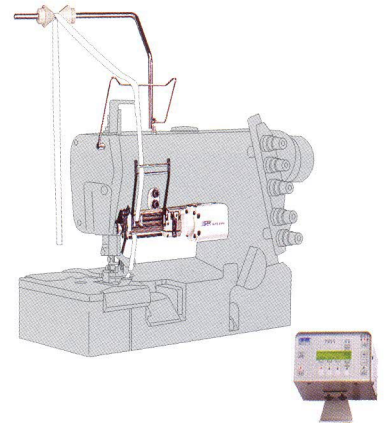
MC S6Z-57 FOR ZIG-ZAG



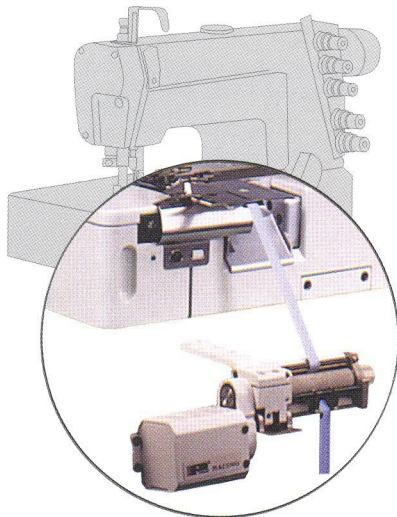
MC S6K-57 FOR OVERLOCK



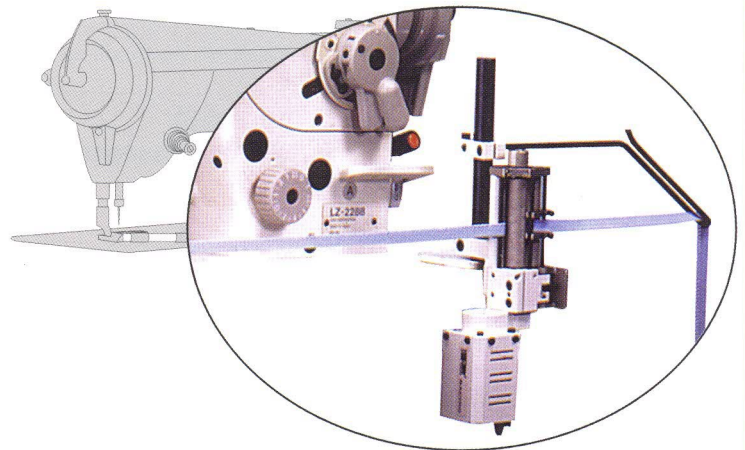
MC S6C-57 FOR COVERSTITCH



MC S6B-57 FROM BOTTOM FEED



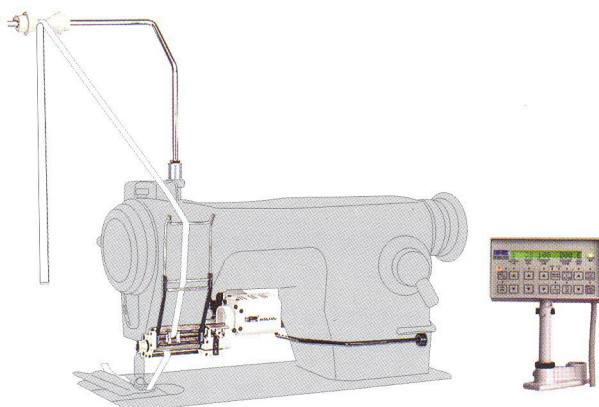
MC S6S-57 FROM SIDE FEED



MC 18 SERIES

27 PROGRAMS MEMORY. IT CAN REACH DIFFERENT SEWING PURPOSE BY POWERFUL MULTI-FUNCTION.

MC 18Z-57 FOR ZIG-ZAG



MC 18C-57 FOR COVERSTITCH

